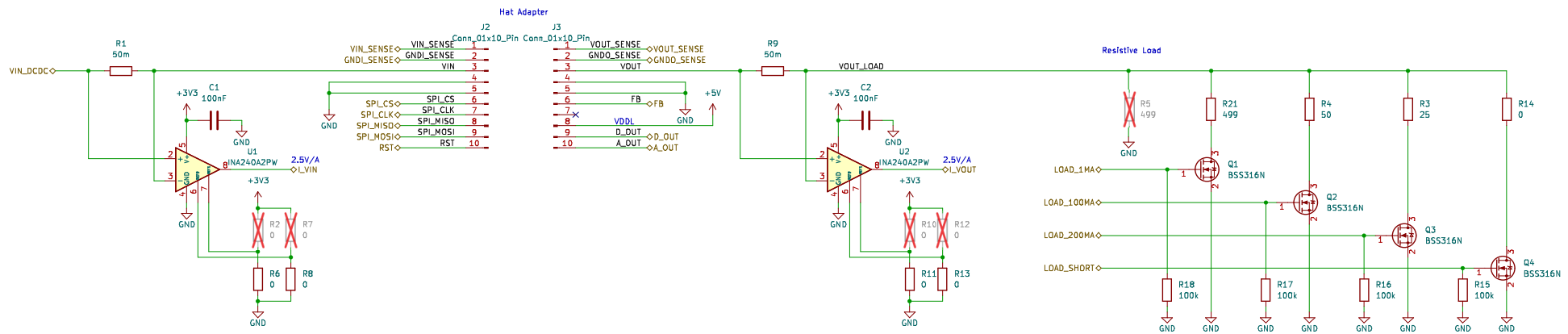
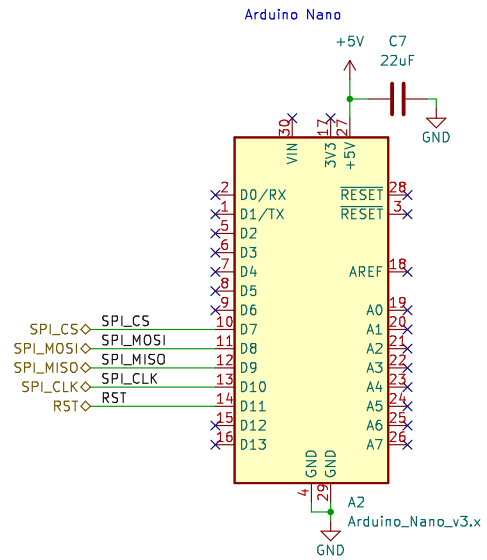


| | |
|------------------------------|----------|
| Sheet: / | |
| File: ASIC-Adapter.kicad_sch | |
| Title: Overview | |
| Size: A4 | Date: |
| KiCad E.D.A. kicad 7.0.11 | Rev: 1.0 |
| | Id: 1/4 |



Hat Adapter

| J2 Conn_01x10_P1n | J3 Conn_01x10_P1n |
|-------------------|-------------------|
| VIN_SENSE | VOUT_SENSE |
| GND_SENSE | GND_SENSE |
| VIN | VOUT |
| | |
| SPL_CS | FB |
| SPL_CLK | VDDI |
| SPL_MISO | D_OUT |
| SPL_MOSI | A_OUT |
| RST | |



Sheet: /MCU/
 File: MCU.kicad_sch

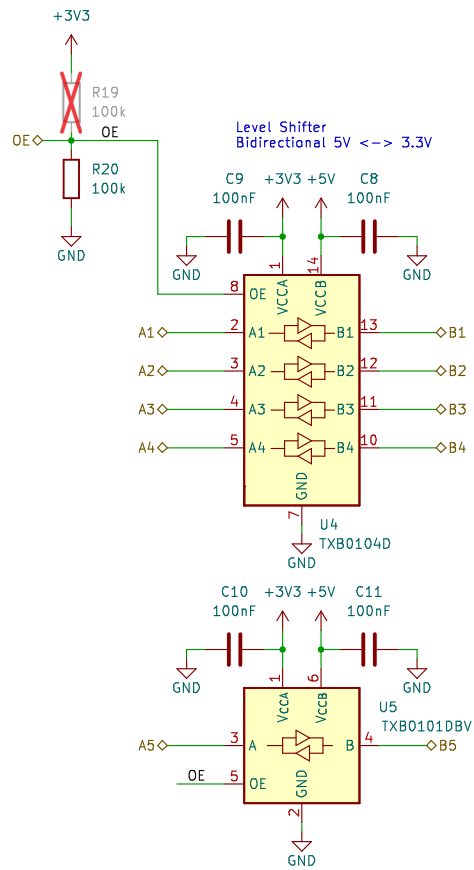
Title: MCU

Size: A4
 KiCad E.D.A. kicad 7.0.11

Date:

Rev: 1.0

Id: 3/4



Sheet: /LevelShifter/
 File: LevelShifter.kicad_sch

Title: Level Shifter

Size: A4 Date:
 KiCad E.D.A. kicad 7.0.11

Rev: 1.0
 Id: 4/4